

11A-439S290 (2007)
General Assembly

Page 2 of 5

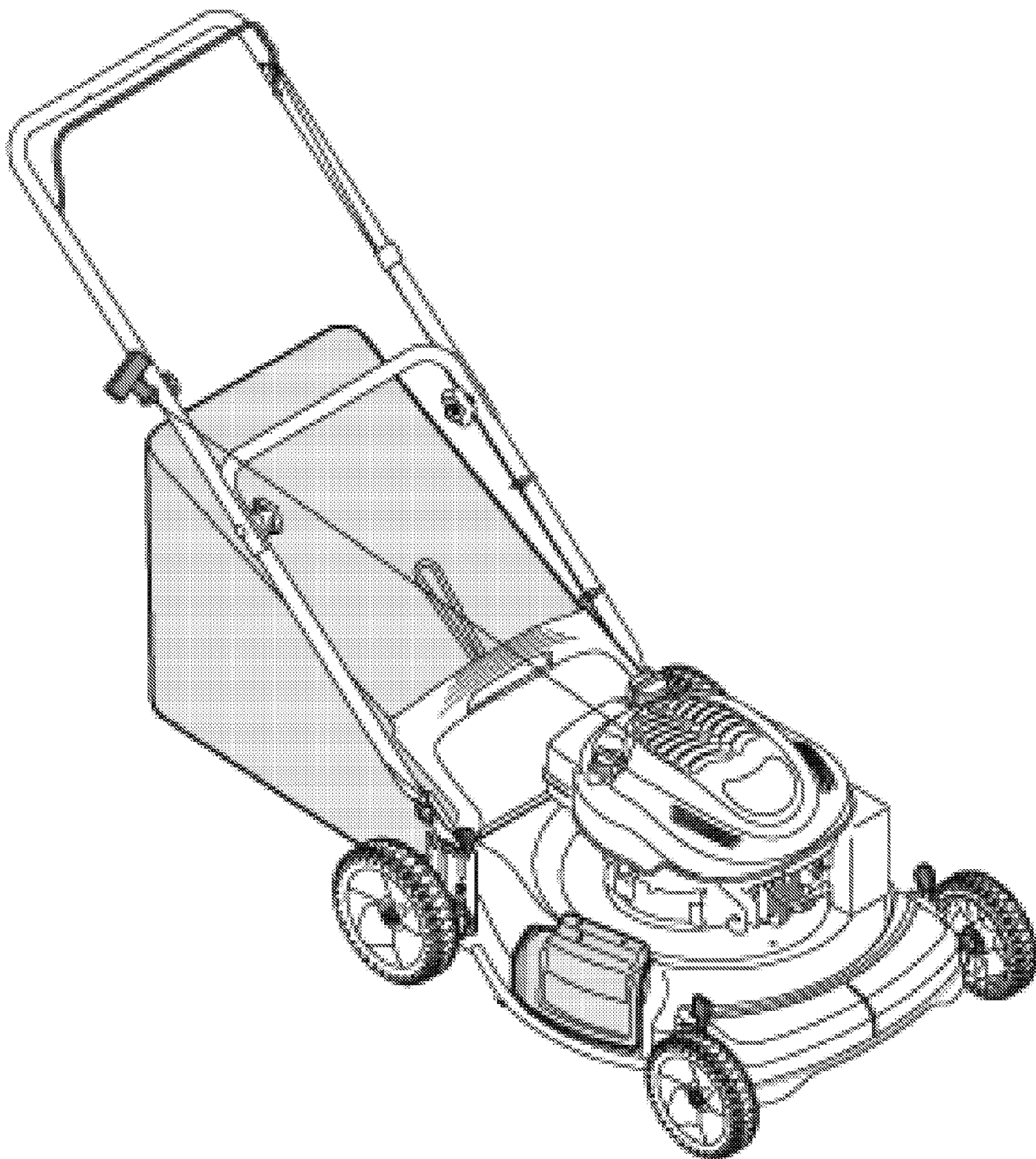
Ref #	Part Number	Qty	S/P/F	Description
1	747-1161A	1	S	Blade Control Handle
2	749-1092A	1	/P	Upper Handle
3	747-04080	1	S	Grass Catcher Frame
4	749-0928A	1	S	Lower Handle
5	720-0279	1	/P	Wing Nut
6	710-1205	1	/P	Rope Guide
7	710-1174	1	/P	Carriage Bolt, 5/16-18 x 2
8	664-04027	1	S	Grass Bag Assembly
9	720-04072	1	S	Hand Knob
10	731-1506A	1	/P	Front Cover If Equipped
11	726-0240	1	S	Cable Tie
12	710-0703	1	/P	Carriage Bolt ,1/4-20
13	631-04225	1		Rear Discharge Door
14	736-0504	1	S	Wave Washer If Equipped
15	17032A	1	/P	Deflector Chute Adaptor
16	732-04090A	1		Torsion Spring - RH
17	734-04215	1	S	Rear Wheel, 8 x 1.8, K2 Bar
18	731-04150C	1	/P	Rear Baffle
19	710-0599	1	/P	Screw, 1/4-20 x .500
20	787-01279	1		Deck - 21 inch
21	687-02055	1	S	Hinged Mulch Plug Assembly
22	782-5002B	1	/P	Front Baffle
23	748-04082	1	/P	Blade Adapter
24	742-0741	1	S	Mulching Blade
25	710-1257	1	/P	Hex Screw , 3/8-24 x 2.5
26	687-02076A	1	S	Pivot Arm Assy RH (7" wheel)
26	687-02077A	1	S	Pivot Arm Assy LH (7" wheel) Not Shown
26	687-02077A	1	S	Pivot Arm Assy RH (8" wheel)
26	687-02076A	1	S	Pivot Arm Assy LH (8" wheel) Not Shown
27	736-0524B	1	/P	Blade Bell Support
28	787-01290	1	S	Front Adjustment Plate
29	720-0426	1	/P	Adjustment Lever Knob
30	732-0404	1	S	Spring Lever Assembly
31	736-0270	1	/P	Bell Washer
32	734-04213	1	S	Front Wheel, 7 x 1.8, K2 Bar
33	710-1241	1		Screw, 1/4-15 x 1.000
34	746-1130	1	S	Control Cable 40 inch
34	746-1137	1	S	Control Cable 53 inch
35	731-04525	1	S	Engine Shroud If Equipped
36	731-05642	1	S	Trailshield
37	732-0700	1	/P	Trailshield Wire
38	712-0397	1	S	Wing Nut, 1/4-20
39	747-04587	1		Rear Door Pivot Rod
40	732-04175	1		Spring Lever
41	687-02071A	1	S	Pivot Arm Assembly - RH
41	687-02070A	1	S	Pivot Arm Assembly - LH Not Shown
42	710-1652	1	/P	AB Screw
43	712-04065	1	/P	Flange Lock Nut, 3/8-16
44	714-0104	1	S	Hairpin Clip
45	710-0654A	1	/P	TT Sems Screw, 3/8-16 x 1.0
46	687-02099A	1	S	Ht. Adj. Assy. Front LH (7" wheel)
46	687-02100A	1	S	Ht. Adj. Assy. Front RH (7" wheel) Not Shown
46	687-02075A	1	S	Ht. Adj. Assy. Front LH (8" wheel)

11A-439S290 (2007)
General Assembly

Page 3 of 5

Ref #	Part Number	Qty	S/P/F	Description
46	687-02074A	1	S	Ht. Adj. Assy. Front RH (8" wheel) Not Shown
47	687-02270	1	S	Rear Handle Bracket Assy. - LH
47	687-02271	1	S	Rear Handle Bracket Assy. - RH Not Shown
48	732-1014	1		Torsion Spring
49	731-04177	1	/P	Side Chute
50	747-0710	1	S	Hinge Pin
51	738-0507B	1	S	Shoulder Screw

11A-439S290 (2007)
Quick Reference 439S



11A-439S290 (2007)
Quick Reference 439S

Page 5 of 5

Ref #	Part Number	Qty	S/P/F	Description
	759-3338	1	/P	Spark Plug 802592S
	BS-493537S	1	/P	Pre Filter
	BS-491588S	1	/P	Air Filter
	BS-298090S	1	/P	Fuel Filter
	746-1130	1	S	Cable Control (Brake)
	742-0741	1	S	Blade
	710-1257	1	/P	Blade Bolt
	748-0377C	1	S	Blade Adapter
	736-0524B	1	/P	Bell Blade Support
	734-1987	1	/P	Wheels (Front)
	734-1987	1	/P	Wheels (Rear)
	N/A	1		Hub Cap
	731-05642	1	S	Trail Shield
	731-04177	1	/P	Side Discharge Chute
	664-04034A	1	S	Grass Bag
	687-02055	1	S	Mulch Plug Assembly (Attachment)